

RECOMMENDED P.C.B LAYOUT  
TOP VIEW (COMPONENT SIDE)

### MATERIALS

1.HOUSING: LCP
2.RJ CONTACT: PHOSPHOR BRONZE PLATING OVER NICKEL
3.SHIELD: BRASS.
4.JACK CAVITY CONFORMS TO FCC RULES AND REGULATIONS PART 68 SUBPART F
5.THE PART IS RECOMMENDED FOR WAVE SOLDERING PROCESS PEAK SOLDERING TEMPERATURE IS 260°C MAX,10 SECS MAX.
6.OPERATING TEMPERATURE:0°C TO +70°C. STORAGE TEMPERATURE:-40°C TO +85°C.

2	更新外型樣式	Jack	072720
1	更新MODLE	Jack	050819
ITEM NO.	DESCRIPTION	DRAWN	DATE

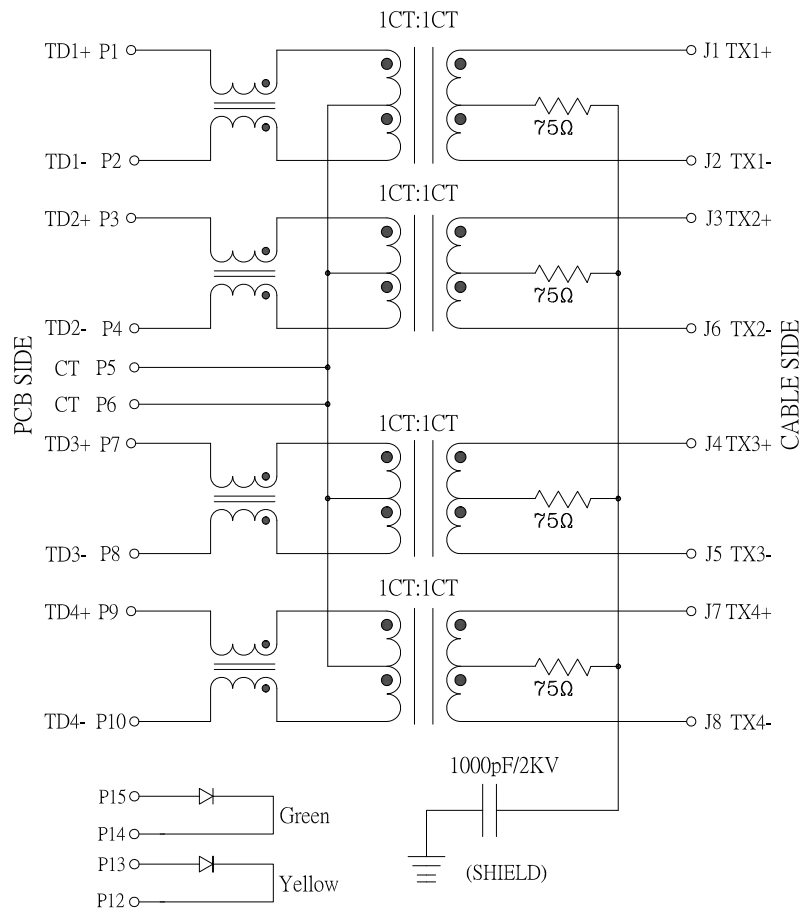
**CONTACT** 建倚科技股份有限公司  
**CONTACT TECHNOLOGY CORP.**

TOLERANCE UNLESS OTHERWISE STATED	Up to 5 ±0.2 Above 5 ~ 15 ±0.3 Above 15 ~ 30 ±0.4 Above 30 ~ 50 ±0.5 Angle ±0.3°	3RD. ANGEL'S	UNITS	MM
-----------------------------------	--	--------------	-------	----

DRAWN BY:	DATE	MAT'L	TITLE	RJ45
Jack Lu	07/27/20			
CHECKED BY:	DATE	FINISH	MODLE	RJ45 1x1 Tab_UP Through Hole 1000Base-T W/LED
Jacky Chen	07/27/20			
APPROVED BY:	DATE	SCALE	DWG NO.	MJ45-1S844-GY-S118
Tony Kao	07/27/20	1 : 1		
		SHEET NO.	PART NO.	MJ45-1S844-GY-S118
		1 of 2		
				SIZE A4
				VER R2



# Schematic



PARAMETER	SPECIFICATIONS
OPERATING TEMPERATURE	0°C To +70°C
TURNS RATIO	1:1±2%
INDUCTANCE(OCL)	350uH MIN@100KHz/100mV With 8mA DC Bias
INSERTION LOSS	-1.0dB MAX@0.3MHz-100MHz;
RETURN LOSS (Z out=100 OHM)	-18dB MIN@1MHz-30MHz; -13dB MIN@30MHz-60MHz; -10dB MIN@60MHz-100MHz;
CROSSTALK (ADJACENT CHANNELS)	-30dB MIN@1-100MHz;
COMMON MODE REJECTION RATIO	-30dB MIN@1-100MHz;
DC CURRENT/VOLTAGE RATING-PSE PINS	0.1A MAXIMUM@48VDC(CONTINUOUS)
HI-POT	2250 VDC@60 SECONDS

LED SPECIFICATION			
STANDARD LED	WAVELENGTH	Forward V(max)	TYP
GREEN	565nm	2.4V	2.2V
YELLOW	590nm	2.5V	2.1V

\*WITH A FORWARD CURRENT OF 20mA

				建倚科技股份有限公司 <b>CONTACT TECHNOLOGY CORP.</b>				DRAWN BY: Jack Lu		DATE: 07/27/20		MAT'L		TITLE: RJ45	
								CHECKED BY: Jacky Chen		DATE: 07/27/20		FINISH		MODLE: RJ45 1x1 Tab_UP Through Hole 1000Base-T W/LED	
								APPROVED BY: Tony Kao		DATE: 07/27/20		SCALE: 1 : 1		DWG NO. MJ45-1S844-GY-S118	
												SHEET NO. 2 of 2		PART NO. MJ45-1S844-GY-S118	
2	更新外型樣式	Jack	072720	TOLERANCE UNLESS OTHERWISE STATED: Up to 5 ±0.2 Above 5 ~ 15 ±0.3 Above 15 ~ 30 ±0.4 Above 30 ~ 50 ±0.5 Angle ±0.3°				3RD. ANGEL'S		UNITS MM		SIZE A4		VER R2	
1	更新MODLE	Jack	050819												
ITEM NO.	DESCRIPTION	DRAWN	DATE												